



Water


GWF



## UNICOcoder<sup>®</sup> MP with RCM<sup>®</sup> -H200 compact - NTEP

Singlejet consumption meter  
for cold/hot water with wireless LoRaWAN<sup>™</sup>  
3/4"

### Your benefits

- Utility grade and sustainable technology (robust & high grade wear resistant materials with brass body):  
**Excellent measuring stability and reliability over meter lifetime and awareness of using a recyclable product**
- NFC Tap and go:  
**Simple commissioning process** 
- Plug & Play:  
**Easy and fast activation in LoRaWAN (no programming required)**
- Performance driven design:  
**Range up to 25 miles (line of sight)**
- Integrated monitoring of connectivity and reconnecting mechanism:  
**Robust operation with automatic repair options, e.g. due to gateway failures**

### Features

- Singlejet dry-dial meter with magnetic coupling
- Inlet strainer
- Horizontal or vertical installation
- Sealed register for tamper resistance
- NTEP Approval CC 19-019A2
- NSF/ANSI 61-G & 372 certified and marked
- Meets AWWA C712 accuracy standards in horizontal and vertical position
- Protection class IP68
- LoRaWAN transmission in license free 915 MHz frequency band
- Data security via AES-128-bit end-to-end encryption over 2 independent security layers
- Typical battery lifetime up to 15 years
- ADR (adaptive data rate) support gives higher transmission intervals with consistent battery life

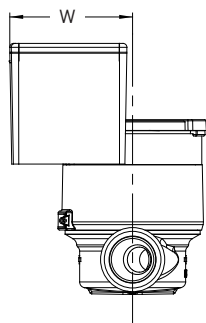
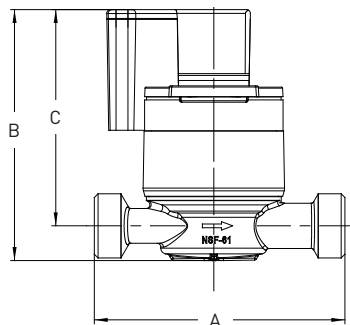
### Application

- Manufactured Homes for consumption monitoring of water and identification of critical events

## Installation

Pipeline:	horizontal	—
	vertical up-flow	
	vertical down-flow	
Meter head:	facing up	↑
	sideways	← →

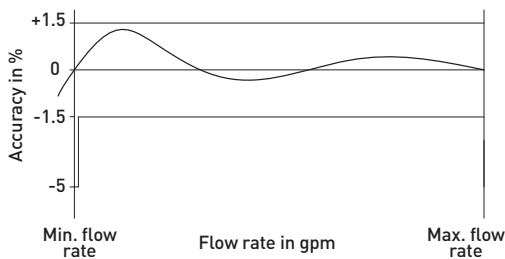
## Dimension Diagram



Certified to  
NSF/ANSI 61-G & 372

**LoRa Alliance Certified™**

## Accuracy chart



## Technical Data

Nominal pipe size		3/4"
Max. operating pressure	psi	230
Connection thread on meter	Inch	1" NPSM
Permanent flow rate	gpm	11
Max. flow rate	gpm	22
Min. flow rate	gpm	0.5
Max. operating temperature	°F	194

Dimensions and weights			
Length without couplings	A	inch	5.12
Height <sup>1)</sup>	B	Inch	5.2
Height from pipe centre line <sup>1)</sup>	C	Inch	4.4
Installation depth from pipe centre line	W	Inch	2.5
Weight without couplings		lbs	1.79

<sup>1)</sup> The dimension B and C increase by 20mm if lid is open

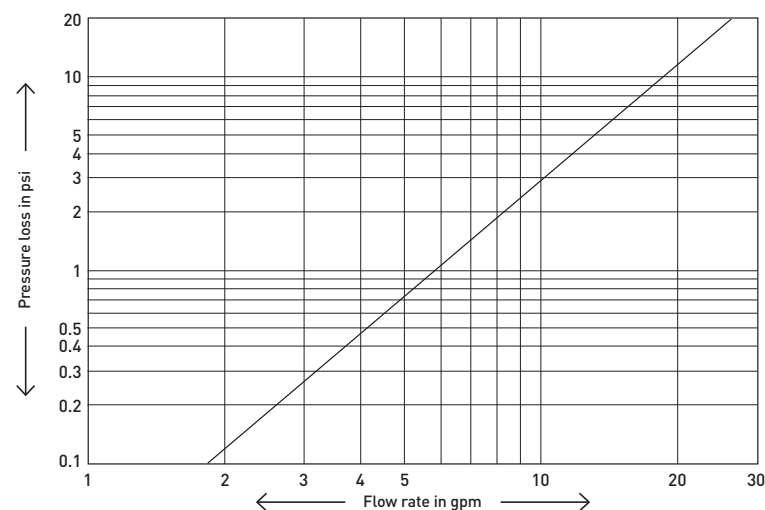
Ambient conditions	
Ambient temperature	+41 °F to +131 °F
Transport & Storage temperature	+5 °F to +149 °F
Register protection class	IP68

Power supply	
Lithium battery (not replaceable)	3 V DC
Typical battery lifetime (depending on environment and configuration conditions)	Up to 15 years

Approval	
NTEP cold/hot No. CC 19-019A2	■
New York Certificate No. 10766	■

Certifications	
NSF/ANSI 61-G & 372 D-Hot / incl. cold	■
LoRa Alliance Certification (1.0.4 spec.)	■

## Pressure loss chart



## Technical Data



LoRaWAN specifications	
Regional parameters (Frequency band)	US902-928 MHz ISM Band (902 - 928 MHz)
Transfer protocol (payload)	GWF specific
Radiated power	max. 20 dBm (100 mW)
Class	A
ADR (Adaptive data rate)	Yes
Activation type	OTAA
Approval	FCC ID: 28165-RCMH200

Information data package	
DevEUI	70B3D538700000AB
Meter manufacturer*	GWF
Medium*	Water
Meter S/N*	23123456
Absolute meter reading (down to 15 min values)	35.9 US gallons
Remaining battery life	Semester
Alarms	Battery, LoRaWAN link error, Continuous flow / leak, Backflow, Burst pipe, No Usage
Status*	Manipulation

\*This data is read directly from the GWFcoder® MP register

GWF AG  
Obergrundstrasse 119  
6005 Lucerne, Switzerland

T +41 41 319 50 50  
info@gwf.ch, www.gwf.ch

Technical support:  
T +41 41 319 52 00, support@gwf.ch

---

printed in  
switzerland

Subject to modification, 24.05.2023 – EPe10137