



RCM[®]-H200

LoRaWAN[™] GWFcoder[®] MP Radio Module, 915 MHz
Split or compact execution



Your benefits

- Backwards compatible:
No meter change required when migrating water and gas meters with GWFcoder[®] MP interface into a Low Power Wide Area Network (LPWAN)
- Performance driven design:
Range up to 25 miles (line of sight)
- Plug & Play:
Easy and fast on-site installation and activation in LoRaWAN (no programming required)
- LoRa Alliance Certified:
Interoperable with different LoRaWAN network providers
- Integrated monitoring of connectivity and reconnecting mechanisms:
Robust operation with automatic repair options, e.g. with gateway failures
- Custom-tailored RF Mode:
Up to 15 years battery lifetime

Application

- Simple readout of water and gas meters with GWFcoder[®] MP registers without necessity to access buildings
- Migration of installed meters with GWFcoder[®] MP registers to a smart metering system via LoRaWAN
- Energy monitoring, energy reporting and consumption accounting with any cloud solution
- Integration of water and gas meters with GWFcoder[®] MP registers in smart city projects

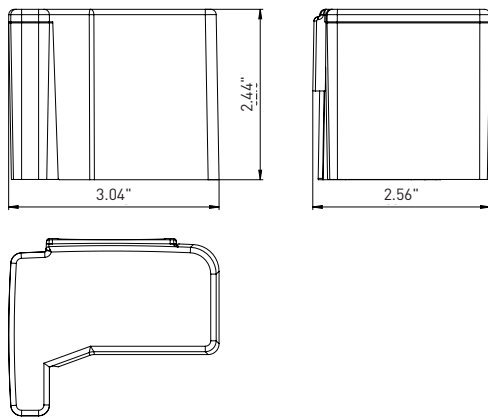
Features

- Battery powered, LoRaWAN radio module
- Radio transmission in license free 915 MHz frequency band
- Split execution: Water proof design for pit installations (protection class IP68)
- Compact execution: IP67
- Transmission of latest register value and further information
- For all meter types with GWFcoder[®] MP register with ECO interface (gas / water, domestic and industrial meters)
- Split-connection (cable) to the meter – remote installation
- Data transmission in accordance with LoRaWAN 1.0.4 specification
- Data security via AES-128-bit end-to-end encryption over 2 independent security layers
- ADR (adaptive data rate) support gives higher transmission intervals with consistent battery life
- Real-time clock synchronization with the LoRaWAN-Network – DeviceTimeReq
- Contactless NFC configuration and commissioning interface
- Approvals: FCC, IC

Options

- LoRaWAN Transmission interval: 15 minutes (depends on the to be used LoRaWAN data rate), 60 minutes or daily
- Warnings (continuous flow / leak, backflow, pipe burst, no usage over a period) enabled or disabled

Dimension Diagram



Technical data

Specifications	Radio module RCM®-H200
Meter interface	Meter with GWFcoder® MP register with ECO interface
Regional Parameters (Frequency band)	US902-928 MHz ISM Band (902 – 928 MHz) AU915-928 MHz Band (915 – 928 MHz)
Transfer protocol (payload)	GWf specific
Radiated power	max. 20 dBm (100 mW)
LoRaWAN class	A
ADR	Yes
Activation type	OTAA
Approval	FCC and IC
Protection class	Split execution: IP68 Compact execution: IP67
Cable length	Split execution: 3.28 ft Compact execution: no cable
Cable extension (only split)	max. 65.6 ft

Power supply	
Battery	1 x Lithium 3,0 V (not replaceable)
Typical battery lifetime	Up to 15 years (depending on environment and configuration conditions)

Ambient conditions	
Operational temperature	5 to 131 °F
Storage temperature	5 to 149 °F

Information data package	Data (example) MTKcoder® MP
DevEUI RCM®-H200	70B3D538700000AB
Meter manufacturer*	GWf
Medium*	Water
Meter number*	18215678
Absolute meter reading* (up to 15 min. values)	359.7 US gallons
Remaining battery life	Semester
Warnings	Battery, LoRaWAN™ link error, continuous flow / leak, backflow, pipe burst, no usage
Status*	Manipulation

* This data is read directly from the GWFcoder® MP register