

LoRaWAN[®] Outdoor Gateway

Highly Optimized and Cost-Effective for Outdoor Deployments

The Truety Outdoor Gateway is an enterprise-grade LoRaWAN gateway designed for outdoor applications. This device provides high up-time by combining Ethernet and cellular backhaul through an internal 3G/4G cellular modem as well as a built-in battery backup for up to 4 hours of runtime in the event of a power failure.

The cellular option can be enabled and disabled via the Truety web portal allowing cost and time savings during initial project deployments.

Cost effective and simple to configure, the Outdoor Gateway is an ideal hub for deployment of enterprise-level applications in areas where LoRaWAN coverage is not yet readily available or for private networks where the operator requires unfettered access to the gateways regardless of their deployment location.



- » Outdoor Network Coverage
- » In-Building Networks
- » Commercial Farming
- » University Campuses
- » Multi-building Complex
- » Parkades
- » Warehouses
- » Medium Sized Private Developments

Key Product Differentiators

- » Enable communication with Truety products and other enterprise IoT devices with 'Always On' connectivity
- » Integrated four-hour battery backup
- » Integrated 3G/4G modem
- » Plug-and-play installation with online status via Truety web portal and commissioning app
- » Improve coverage and service resulting in increased IoT application adoption and customer satisfaction
- » 915 MHz ISM band
- » External LoRaWAN antenna
- » Up to 27dBm Tx Power
- » 8 Rx/ 1 Tx channel
- » Factory Image for Mass Deployment
- » In-Service Updates
- » Operational status indicated with multi-function LED
- » Fully integrated with the broader eco-system of LoRa[™] Network servers and sensors



Technical and Functional System Specifications

Mechanical Parameters

MTBF	450,000 hours
DC Power Consumption	< 7 W
Operational Temperature	-40°F to +140°F
Operational Humidity	10% to 100% Condensing
Ingress Protection	IP67
Size	5.74" x 7.04" x 3.13"
Weight	2.65 lbs

LoRa Radio Parameters

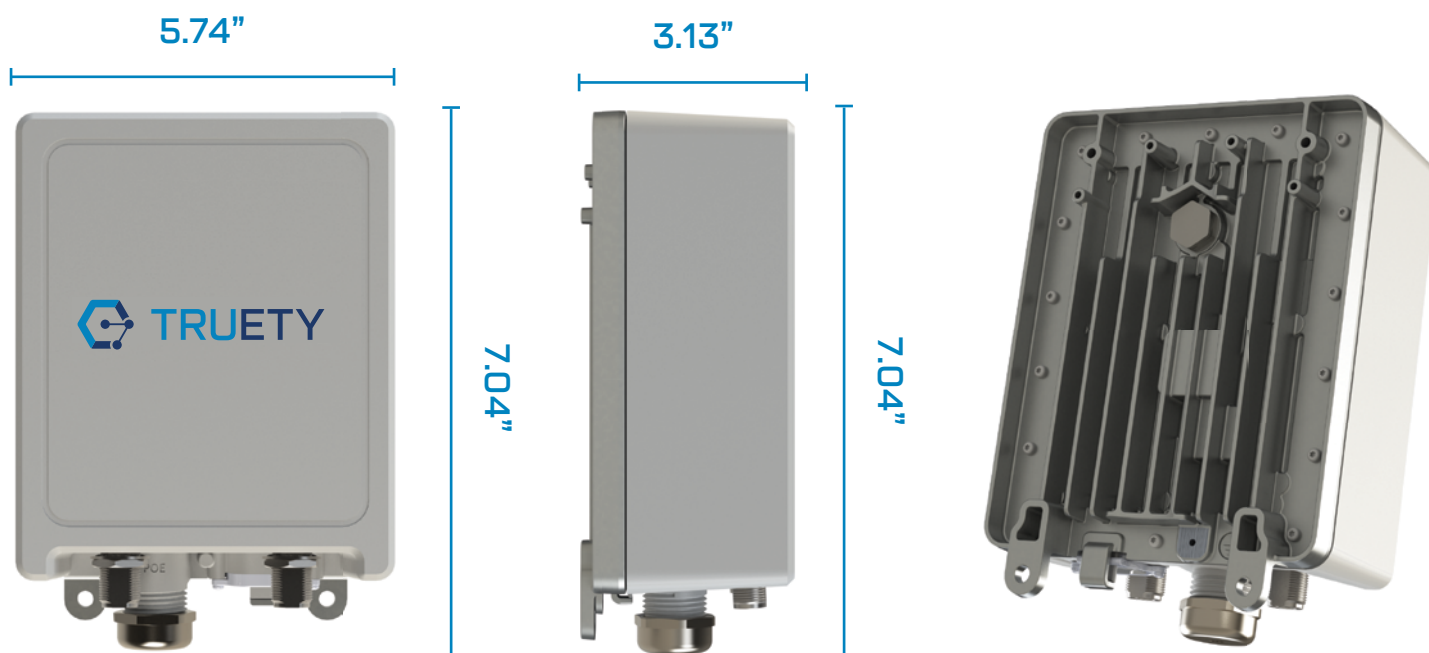
ISM Bands	All Global Bands
Tx Power	14 dBm to 27 dBm
Rx Sensitivity	-139.5 dBm [SF12, 293 bits/sec]
Rx Noise Figure	2.5 dB
Rx Linearity	-5 dBm
Rx Dynamic Range	70 dB Analog, 100+ dB Digital

Interfaces

Ethernet Backhaul	RJ-45 (10/100 BaseT)
Cellular Backhaul (3G/4G)	Internal with optional External
LoRa Antenna	N-Type
Power	802.3af PoE or Passive PoE at 37 to 57 VDC

Regulatory Compliance

Safety	IEC 62368-1 [CE]
Environmental	ETSI EN 300 019-2
Regulatory	ETSI EN 55022 Class B
	ETSI EN 55024
	ETSI EN 300 489-1/-3



truety.com/contact-us

Powered by:

QMC^o + GWF

