



Water

# GWF



# MT cold NTEP

## Multijet cold water meter

### Your benefits

- Mechanical roller register with 0.1 US gallons resolution:  
**Efficient consumption monitoring in energy data management**
- Transfer of the effective meter reading:  
**No data loss and guaranteed security of the billing data**
- Register without batteries:  
**No service life restriction**
- Long service life, robust domestic water meter:  
**Excellent measuring stability and reliability**
- Measurement of low flow rates:  
**Increased cost effectiveness**

### Specifications

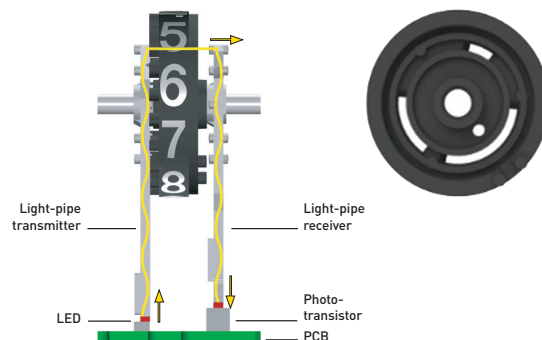
	1"	1½"
Max. flow rate	55 gpm	88 gpm
Max. continuous flow rate	44 gpm	70 gpm
Min. flow rate (+/- 3 %)	0.75 gpm	1.5 gpm
Max. working pressure	230 psi	230 psi
Max. working temp.	122 °F	122 °F
Nominal pipe size	1"	1½"
Connection on meter	1¼" NPSM thread	2" NPSM thread
Main case material	Brass	Brass
Encoder resolution	1/10 gal	1/10 gal

### Features

- NSF-61-G & 372 certified and marked
- NTEP Approval CC 21-096
- Sealed register for tamper resistance
- Meter with high accuracy and durability
- Protection class IP68 with 16.4 ft cable
- Encoder Output – serial data interface to wired or wireless transmitting device

### Encoder-Technology

The well-established GWFcoder®-system reads the absolute mechanical register value precisely and reliably and provides the data through standardized serial interfaces. The number wheels with three various long, asymmetrically arranged slots are being scanned through light pipes which are connected to five light emitting diodes (LED). Thus, the exact position of each number wheel can be detected and the encoded absolute register read can be transmitted as part of the M-Bus protocol. This functioning principle is patented by GWF. The GWFcoder®-interface provides an incomparably higher level of information compared to meters with pulse output.



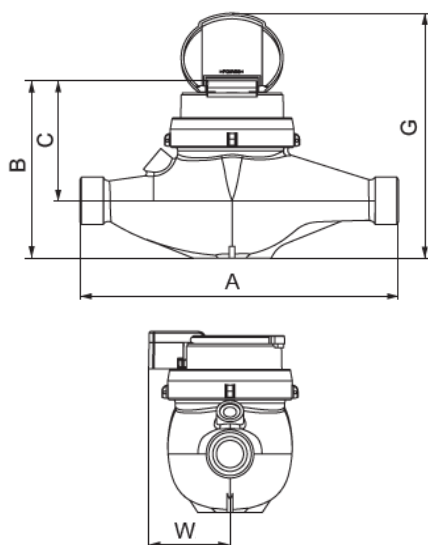
#### Meter absolut Encoder readout:

Absolute meter reading: 1236542.1 US gallons  
 Serial number: 43215678  
 Meter state: OK  
 Medium: Water

## Installation

Pipeline: horizontal  
Meter head: facing up

## Dimension Diagram



## Technical Data

Dimensions and weights			1"	1½"
Length without couplings	A	inch	10.24	11.81
Meter height with lid	B	inch	5.31	6.30
Meter height with lid from pipe centre line	C	inch	3.58	4.49
Installation depth with lid from pipe centre line	W	inch	2.24	2.68
Meter height with open lid	G	inch	7.20	8.19
Weight without couplings		lbs	5.73	11.91

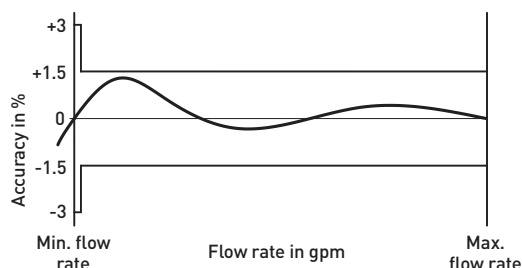
Permissible ambient temperature	+ 41 °F to + 131 °F
Current consumption	max. 2 M-Bus Loads
Meter Output Encoder Wired M-Bus	EN 13757-2/-3
Meter Output Encoder ECO (for radio modules)	EN 13757-3
Standard transmission speed	2400 baud
Register protection class	IP68
Cable length	16.4 ft

Certifications	
NTEP Approval cold water	CC 21-096
NSF-61-G & 372 D.Hot / incl. cold, Type: MTK3coder MP	✓
New York Certificate of Approval	✓

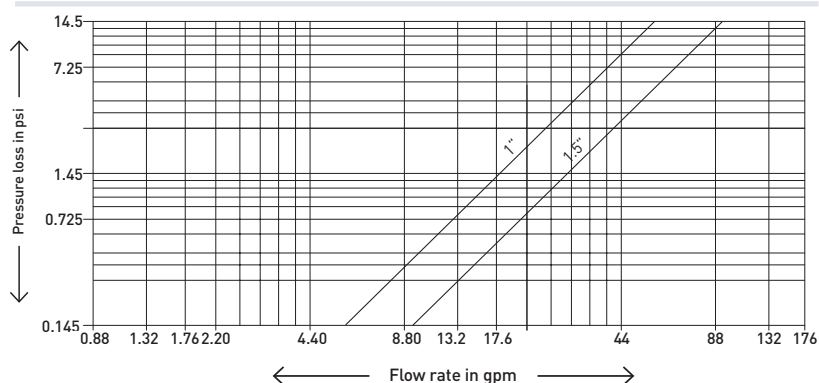


Certified to NSF/ANSI 61-G & 372

## Accuracy chart



## Typical Head Loss Curve



## Comparison «absolute meter reading» vs. pulse

### GWFCoder® technology:

Transfers the effective meter reading. The read-out value in the billing system and the invoice are the same as the meter reading.

### Pulse transfer:

The potential sources of error for a reproduced meter reading with pulse transmission are:

- Bouncing
- Backflow water
- Temporary signal interruption
- Double pulses
- Incorrect pulse value

The readout value in the billing system and the invoice may differ from the meter reading leading to diminished revenue stream.

	Register	Interface	Billing/MDM	Revenue
Encoder register		$V = 1101110001101110110$ Index transferral Serial data	725196	
Read contact		$V =$	725153	

GWF AG  
Obergrundstrasse 119  
6005 Lucerne, Switzerland

T +41 41 319 50 50  
info@gwf.ch, www.gwf.ch

Technical support:  
T +41 41 319 52 00, support@gwf.ch

printed in  
switzerland

Subject to modification, 17.11.2022 – EPe10132